

**KISTOCK DATALOGGER**

Laboratories range : KTR350 / KTH350



- IP65
- : 100000
- 3 가
- 가
- 2
- 1000
- LCD

		가		
KTR-350	no	2	Pt100 /	
KTH-350-A	yes	1	Pt100 /	+
KTH-350-P	no	2		+
KTH-350-I	no	2		+
KTH-350	no	2		

	KTR350	KTH350
	°C, °F, mV, V, mA, A	°C, °F, %RH, mV, V, mA, A, °Ctd, °Ftd
	0.1 °C, 0.1 °F, 0.001 V, 0.001 mA, 0.1 A	0.1 °C, 0.1 °F, 0.1%RH, 1mV, 0.001V, 0.001mA, 0.1A
	2 Pt100	1 2 Pt100
	2	
	1 24	
	From -40 to +70 °C	
	From -40 to +85 °C	
	5	

98.7 x 67.8 x 34.7mm

113 g

1 line LCD screen  
Dimension : 45 x 47 mm

2 : Select, OK

ABS

IP 65

PC

1 digital input for male Jack connector 3.5

Lacquer protected circuit board  
Meets RoHS standards

3.6 V ½ AA

Air and neutral gases

	From 0 to 100 RH
	<b>Accuracy** (Repeatability, linearity, hysteresis) :</b> ±1,5%RH (from 15°C to 25 °C) <b>Factory calibration uncertainty : ±0,88%RH</b> <b>Temperature dependence :</b> ±(0,04 x (T-20))%RH (if T<15°C or T>25°C) $T_{0,63}$ =25 s (from 10%RH to 80%RH, Vair=2 m/s)
	Pt100 Class 1/3 DIN as per IEC 751
	From -20 to +70 °C (KTH-350-A) From -20 to +120 °C (KTH-350-P) From -40 to 180 °C (KTH-350-I)
	<b>KTH-350-A :</b> From +10 to +30°C : ±0.3 °C Beyond : ±0.5°C <b>KTH-350-P, KTH-350-I :</b> ±0.3% of the reading value ±0.25 °C $T_{0,63}$ =9 s (from 10%RH to 80%RH, Vair=2 m/s)

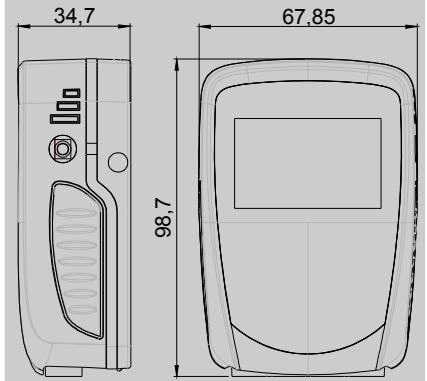
\*All accuracies indicated in this document were stated in laboratory conditions and can be guaranteed for measurements carried out in the same conditions, or carried out with calibration compensation.

\*\*As per NFX 15-113 standard and the charter 2000/2001 Hygrometers, GAL (Guaranteed Accuracy Limit) which has been calculated with a coverage factor value of 2 is ±2,88%RH between 18 and 28°C on the measuring range from 5 to 95%RH. Sensor drift is less than 1%RH/year.

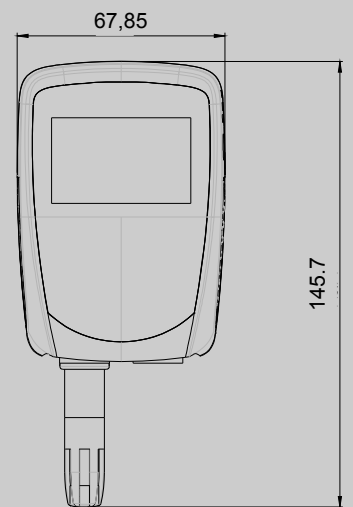
&  
KTH350 KTR350

( )	Pt100 class A as per IEC 751
	From -100 to +400 °C (according probe)
	Remove probe : ±0.4 of the reading ±0.3°C
( )	0/4-20 mA
	±0.2 % of the measurement ±1 µA
( )	0-10 V
	±0.2 % of the measurement ±1 mV
( )	0-50 A / 0-100 A / 0-200 A / 0-600 A
	±1 to 2.5 % of the value displayed (according to measuring range)

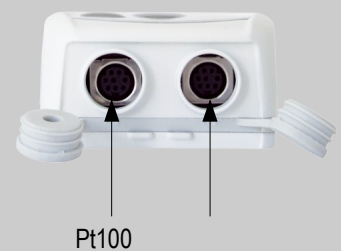
KTR350 – KTH-350-P - KTH-350-I



KTH-350-A



(KTR 350,  
KTH-350-P et KTH-350-I)



(KTH-350-A)



5가

"Immediate" ( )  
"Minimum", "Maximum" "Average"

"Monitoring"

( .)  
- setpoint  
- setpoint

"loop " 가 .  
dataset :4가

push button  
Online : PC

dataset : 6가

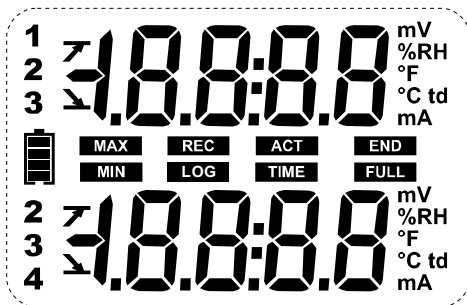
FULL

"OK": -

가

- 2 가 ("Delta T"),
- 
- 
- "Hold"

### SCREEN



**END** DATASET

**REC**

**LOG** :

: data set

**12**

**23**

**34**

**FULL** :

80-90%

90-100%

: 가

**ACT**

**TIME**

**MIN**

**MAX**



: / action



: 5 ( 4 + )

°C...  
°F...  
%RH..... (KH 210)  
td... (KH210)  
V or mV  
A or mA

*bAt* LED 가

*Err* LED : -> "select " & "OK"

RESET

*Err* LED : -> "select " & "OK"

RESET

### PC CONNECTIONS

Input for PC connection

Jack connector  
(3.5)  
Input for Kistock-  
PC software

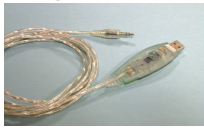


## SOFTWARE



### • Configuration and data processing software &

Software.....Ref. KILOG-N  
 USB interface.....Ref. I-KIC2  
 Complete set : soft + 1 interface.....Ref. KIC2 KILOG



• **KISTOCK-PC interface K**  
 PC- KISTOCK( ) USB  
 Ref. I-KIC2

### • KILOG CFR software



KILOG CFR 21CFR-Part 11  
 가 가

Interface.....Ref. I-KIC2  
 Complete set : KILOG 1CFR software + 1 interface...Ref. KIC2-CFR-N



Software is compatible with the former range of Kistock.

## ACCESSORIES



### • KNT



PC  
 Ref. KNT 300



### • KNT Ref. ITP



Ref. KAV-N



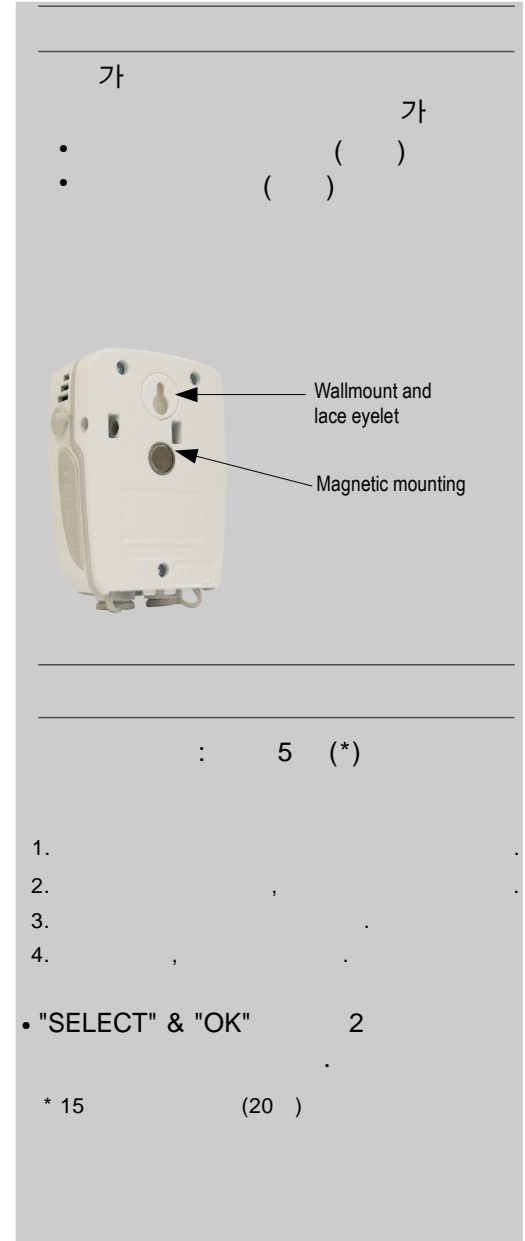
KISTOCK

• **NTC**  
 PVC, 5m, (male & female)  
 Ref. KRC 5

- 25m 가

• **Lace.** Ref. KDC

• **Lithium ½ AA battery.** Ref. KBL



가 가  
 ( )  
 ( )

: 5 (\*)

- 1.
- 2.
- 3.
- 4.

• "SELECT" & "OK" 2

\* 15 (20 )

## CALIBRATION (Optional)

KISTOCK dataloggers can be supplied with calibration certificate as an option.

## WARRANTY PERIOD

KISTOCK dataloggers have 1-year guarantee for any manufacturing defect (return to our After-Sales Service required).

[www.kimo.fr](http://www.kimo.fr)

Distributed by :



**EXPORT DEPARTMENT**  
 Tel : + 33. 1. 60. 06. 69. 25 - Fax : + 33. 1. 60. 06. 69. 29  
 e-mail : export@kimo.fr